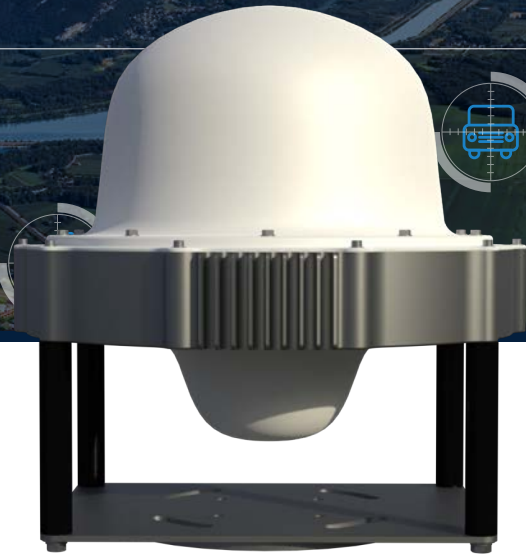




## TECH SPECS

<b>Architecture:</b>	Simultaneous multiple beams
<b>Processing Type:</b>	Pulsed Doppler
<b>Frequency Band:</b>	S (3.0 to 3.3 GHz)
<b>Range Resolution:</b>	5 or 10 m (adjustable)
<b>Selectable Frequency Bands:</b>	6 calibrated
<b>Instrumented Range:</b>	1.25 km
	<b>Detection Ranges*</b> Large Aircraft: 1 km Vehicle: 1 km Walker: 500 m
<b>Azimuth FOV:</b>	360°
<b>Elevation FOV:</b>	40°
<b>Software Defined Update Rate:</b>	1 Hz - 5 Hz
<b>Minimum Detectable Velocity:</b>	0.25-1 mph
<b>Weight:</b>	30 lbs 13.6 kg
<b>Dimensions:</b>	45.7cm x 45.7cm x 40.6cm 18" x 18" x 16"
<b>Power Draw:</b>	35W
<b>Operating Temperature:</b>	-20°C to +60°C -4°F to +140°F
<b>Component Temperature:</b>	-40°C to +85°C -40°F to +185°F
<b>Heating/Cooling:</b>	Passive



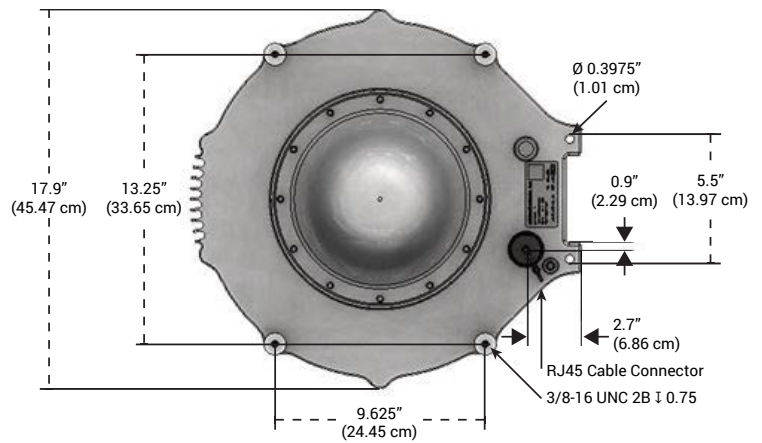
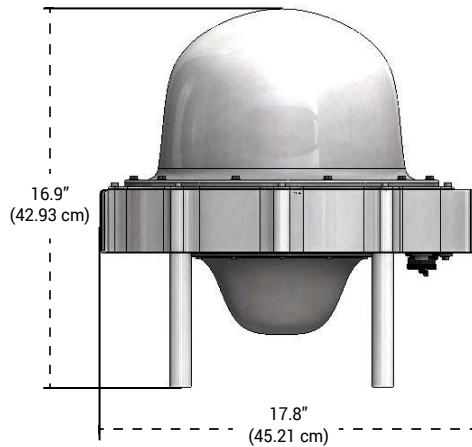
# GROUND AWARE® GA1360

## SHORT-RANGE 360° 2D RADAR SYSTEM

**OWL GroundAware GA1360** 2D digital multibeamforming radar system combines advanced digital beamforming radar technology, classification intelligence, reconfigurability, and easy integration with other security systems (such as video management and access control systems) to bring 360° of real-time, all-weather situational awareness for the physical security of perimeters and other sensitive areas of critical sites.

As the foundation for event-based layered security, GA1360 enables automated detection, tracking, deterrence, and response to intrusions within a 1 km radius of critical sites – that’s up to 750 acres or 300 hectares covered by a single radar.

\* Achieving maximum detection ranges requires sufficient mounting height and line of sight, especially for ground targets.



## FEATURES

- Digital beamforming radar technology for highly reliable all-weather detection and tracking of all target types
- Seamless integration with cameras, VMS, success control, audible alarms, security lights, drones, and more
- Target classification to distinguish among humans, animals, vehicles, aircraft, and drones for alarming on targets of concern, avoiding nuisances
- Customizable alarm zones with automatic response triggers
- Wide-area coverage minimizes infrastructure costs
- Solid State system with no moving parts
- Backed by full warranty

## APPLICATIONS

GA1360 is the ideal solution for smaller critical sites or larger sites where focused surveillance is required. Real-world applications include:

- Electric utility transmission substations
- Water reservoirs and treatment plants
- Natural gas transport, storage, and distribution
- Wind and solar sites
- Oil and gas sites
- Logistics facilities
- Manufacturing facilities
- Airports, seaports, and rail facilities
- Correctional facilities
- Campuses – corporate, hospital, financial, education

GA1360 can be mounted on towers, poles, buildings, and mobile platforms.

**Observation Without Limits (OWL)**, a Dynetics business, leverages more than 45 years of radar expertise to develop, manufacture, and support the OWL GroundAware family of 2D and 3D digital beamforming radar solutions. Critical infrastructure and government sectors around the world use OWL solutions for ground, water surface, and low-altitude airspace surveillance as the foundation for their event-based layered security plans.

[www.owlknows.com](http://www.owlknows.com) | 888-297-9559 | +1 (256) 713-5021

